

ReadyFlex Hot Holding Cabinet

Full Size Pans

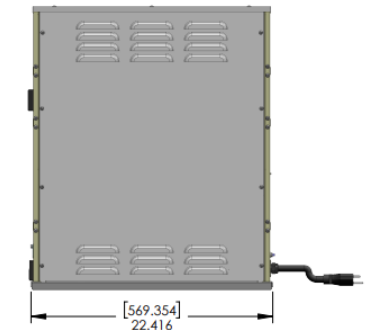
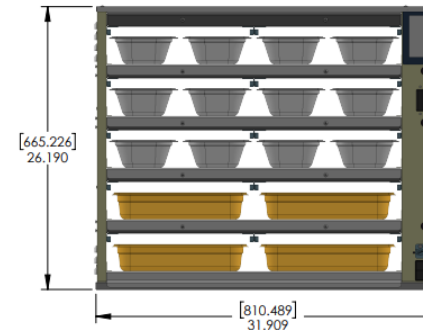
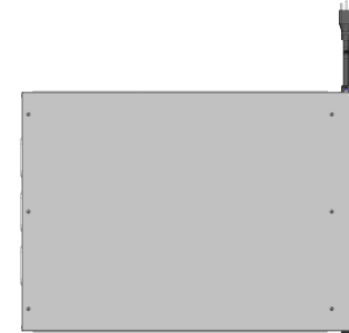
READYFLEX™
HOT HOLDING CABINET

Any Menu.
Anywhere.
Anytime.



ReadyFlex 52 Full Size

- **10 full size pans or 20 half long pans**
- **Extension of existing ReadyFlex (RFHU) line with same outstanding benefits**
 - Flexibility to configure for full size pans, ½ size long pans, or combination of the two – in the same unit
 - Top & bottom heat, 2 heat zones per shelf – ultimate holding environment
 - Intuitive color touchscreen – no timer bars required
 - Wi-Fi & Bluetooth connectivity – future proof
 - Local or remote recipe programming
- **Standard, readily available pans in plastic or metal – no special pans required**
 - Full size pan (GN 1/1) 530 mm x 325 mm x 65 mm deep – 8.5 L*
 - 1/2 Size long pan (GN 2/4) 530 mm x 162 mm x 65 mm deep – 3 L*
- **Dimensions shown for 65 mm deep pans; 100 mm deep pans also available**
 - ReadyFlex cabinet is approximately 100mm deeper than current HS2 (569 mm vs 465 mm)



RFHU 52 Full, 2.5"

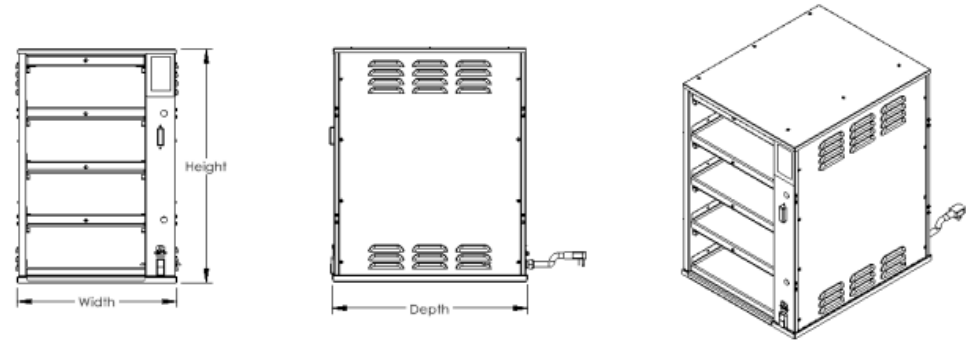
* Amber High Heat Food Pans - H-Pan™ | Cambro





RFHU 41F Hybrid @ NAFEM, 2023

RFHU SPECIFICATIONS



RFHU-41F Shown Above

ELECTRICAL SPECIFICATION/CORD RATING (TOP AND BOTTOM HEAT)

Model	120V - 60Hz		208/240 V - 60Hz		220/240V - 50/60Hz	
	Amps	NEMA	Amps	NEMA	Amps	Schuko
RFHU-21F	7.5	5-15P	6.5/7.5	6-15P	7.2	CEE7/7 (16A)
RFHU-31F	11	5-15P	10.8/12.5	6-20P	12	CEE7/7 (16A)
RFHU-41F	11	5-15P	13/15	6-20P	14.3	CEE7/7 (16A)
RFHU-51F	N/A	N/A	13/15	6-20P	14.3	CEE7/7 (16A)
RFHU-22F	11	5-15P	13/15	6-20P	14.3	CwEE7/7 (16A)
RFHU-23F	N/A	N/A	13/15	6-20P	14.3	CEE7/7 (16A)
RFHU-52F	N/A	N/A	21.6/25	6-30P	23.9	CEE7/7 (32A)

DIMENSIONS

Model	Width		Depth		Height					
					2.5" Deep Pan		4" Deep Pan		Hybrid Pan	
	in.	cm	in.	cm	in.	cm.	in.	cm	in.	cm
RFHU-21F	18.5	47.0	22.5	57.2	11.9	30.2	14.5	36.8	13.2	33.5
RFHU-31F	18.5	47.0	22.5	57.2	16.7	42.4	20.7	52.6	18	45.7
RFHU-41F	18.5	47.0	22.5	57.2	21.4	54.4	26.7	67.8	24.1	61.2
RFHU-51F	18.5	47.0	22.5	57.2	26.2	66.5	32.8	83.3	28.8	73.2
RFHU-22F	32.2	81.8	22.5	57.2	11.9	30.2	14.5	36.8	13.2	33.5
RFHU-23F	45.9	116.6	22.5	57.2	11.9	30.2	14.5	36.8	13.2	33.5
RFHU-52F	32.2	81.8	22.5	57.2	26.2	66.5	32.8	83.3	28.8	73.2

